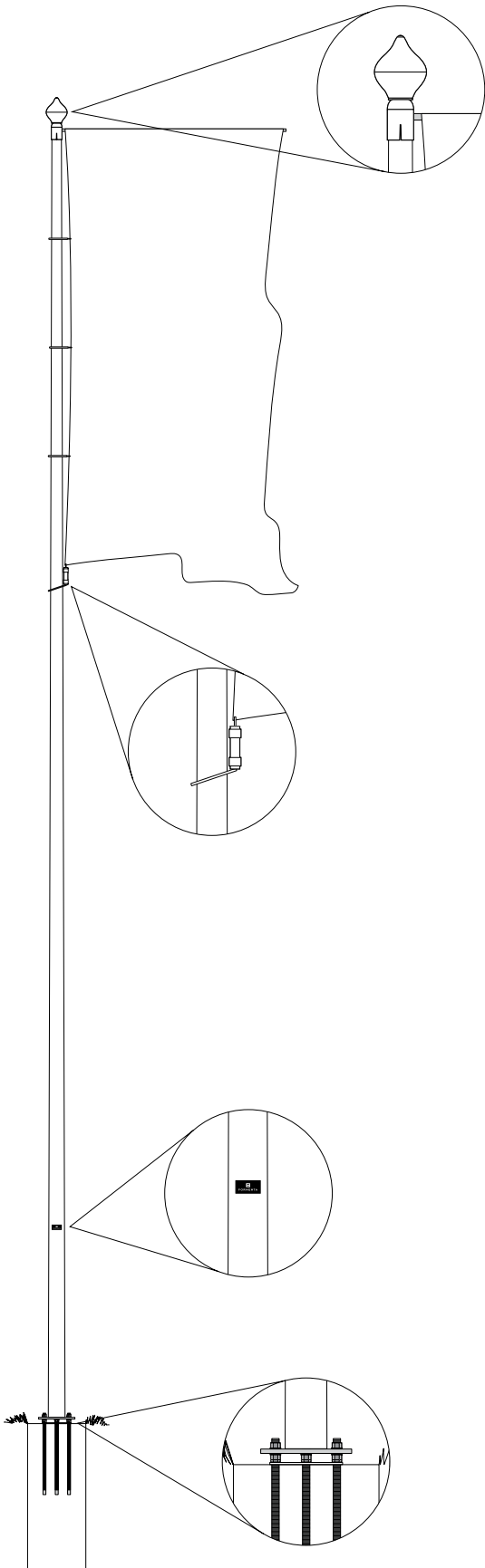


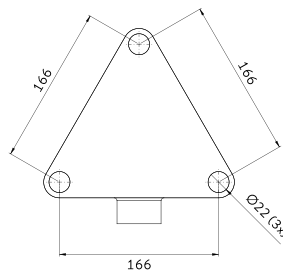
FLAGGSTÅNG ROTO-TOP

Flagpole Roto-Top

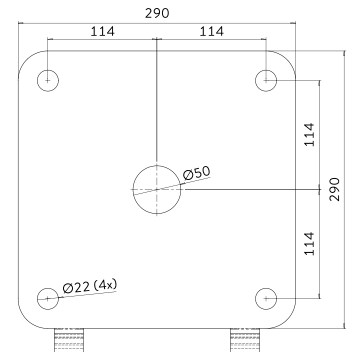


| | 6 m | 8 m | 9 m | 10 m | 12 m |
|--|-----|------|-----|------|------|
| Vikt - kg Weight | 27 | 30 | 32 | 43 | 47 |
| Toppdiameter - mm Top diameter | 65 | 65 | 65 | 65 | 65 |
| Bottendiameter - mm Bottom diameter | 115 | 115 | 115 | 135 | 135 |
| Rek. flaggstorlek - m² Rec. flag size | 2,5 | 3,75 | 4,5 | 4,5 | 6 |
| Vindtest av RISE - m/s Wind load test by RISE | 85 | 60 | 51 | 66 | 52 |

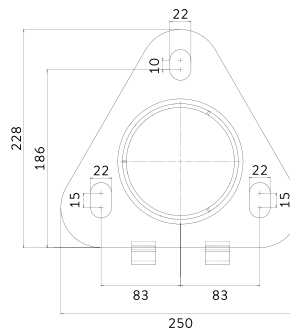
Markplatta 5-12 m
Ground plate 5-12 m



Markplatta 14-18 m
Ground plate 14-18 m



Markfäste 5-12 m
Flagpole Base 5-12 m



Markfäste 14-18 m
Flagpole Base 14-18 m

